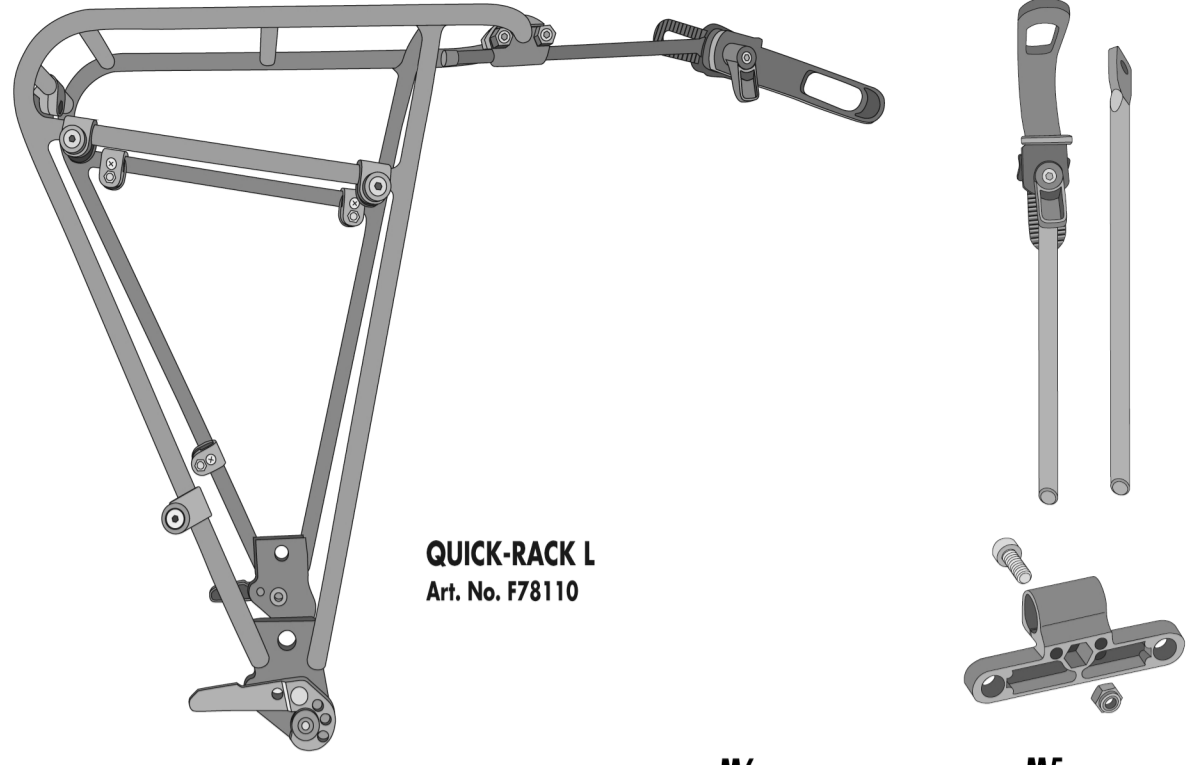




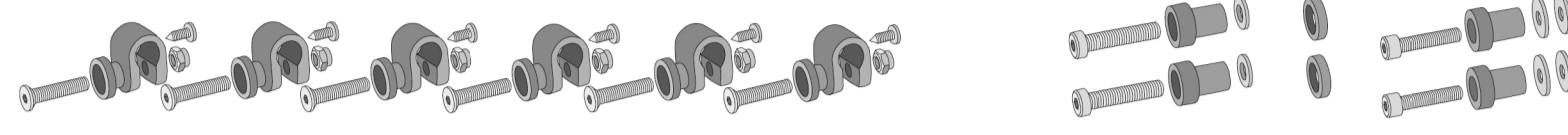
ORTLIEB Sportartikel GmbH
Rainstraße 6
91560 Germany
www.ortlieb.com

QUICK-RACK L

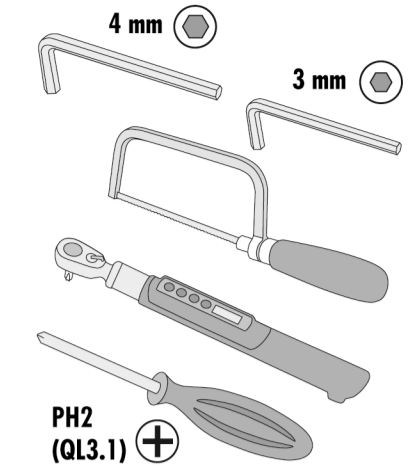
- DE MONTAGEANLEITUNG
- GB ASSEMBLY INSTRUCTIONS
- FR INSTRUCTIONS DE MONTAGE
- IT ISTRUZIONI DI MONTAGGIO
- NL MONTAGE HANDLEIDING
- DK MONTERINGSVEJLEDNING
- ES INSTRUCCIONES DE MONTAJE
- SE MONTERINGSANVISNING
- NO MONTERINGSANVISNING
- FI ASENNUSOHJEET
- PL INSTRUKCJA MONTAŻU
- JP 装着方法



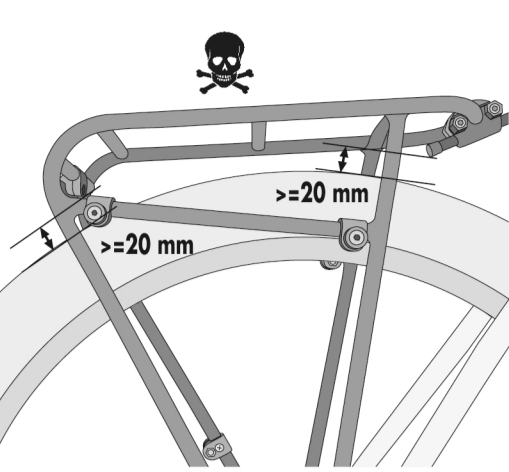
QUICK-RACK L
Art. No. F78110



REQUIRED TOOLS

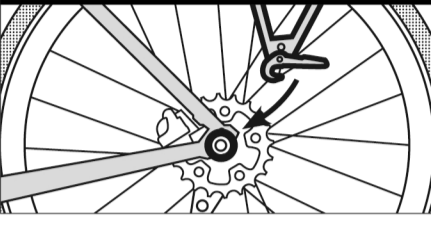


! CHECK TIRE CLEARANCE



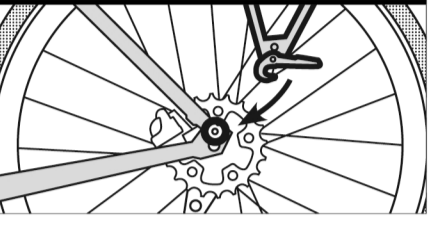
MOUNTING OPTION 1 (MO1)

THRU AXLE M6-CONNECTOR
MAX. TIRE SIZE 28" / 50 mm



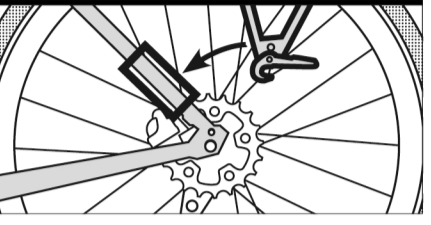
MOUNTING OPTION 2 (MO2)

DIRECT MOUNT M5/M6
MAX. TIRE SIZE 29" / 3"



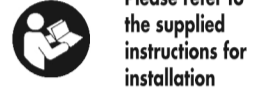
MOUNTING OPTION 3 (MO3)

QUICK RACK SEAT STAY ADAPTER
MAX. TIRE SIZE 29" / 3"



MO 1 USE ACCESSORY THRU AXLE M6-CONNECTOR

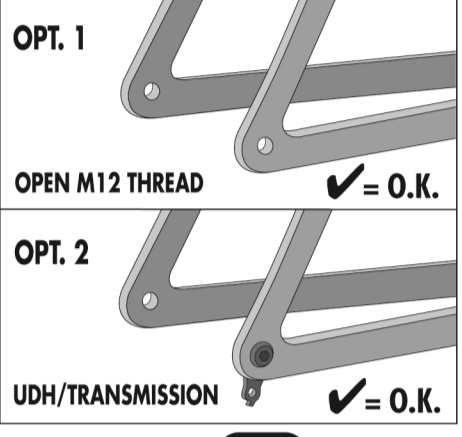
Art. No. F78112
F78113
F78114



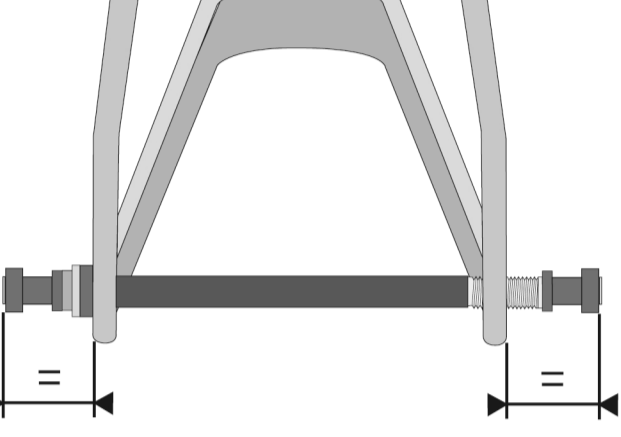
Please refer to the supplied instructions for installation

*Accessory implies not included

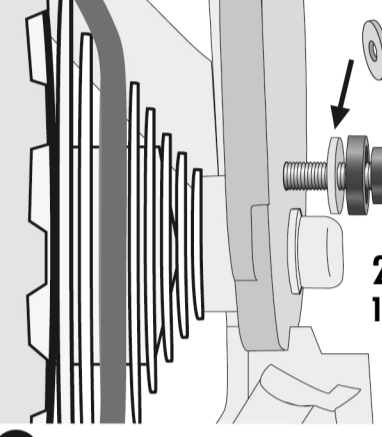
MO 1.1 CHECK COMPATIBILITY



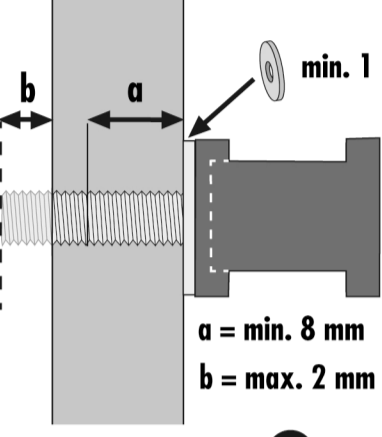
MO 1.2 MOUNTED AXLE



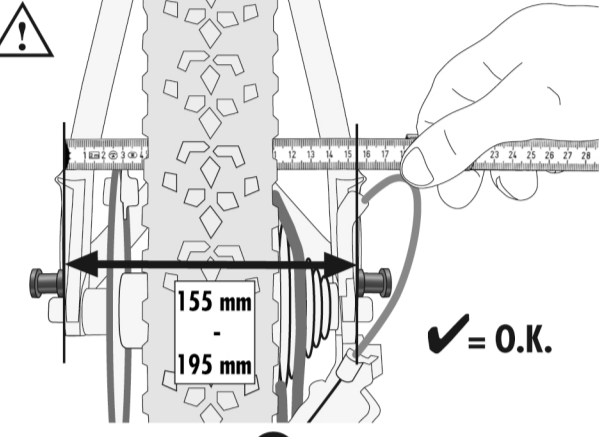
MO 2 DIRECT MOUNT M5/M6



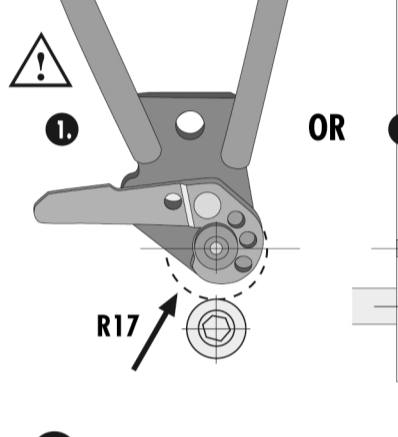
MO 2.1 CHECK COMPATIBILITY



MO 2.2 COMPATIBLE FRAME WIDTH



MO 2.3 CHECK LEVER CLEARANCE



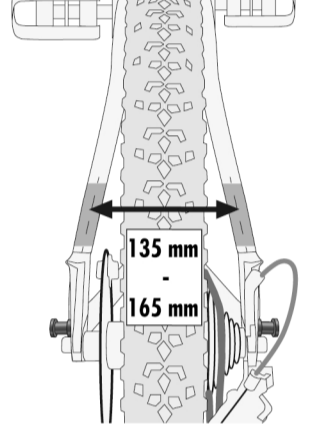
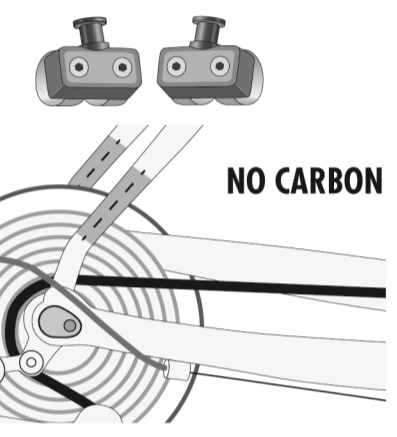
MO 3 USE ACCESSORY SEAT STAY ADAPTER

Art. No. F78106
Quick Rack
Seat Stay Adapter

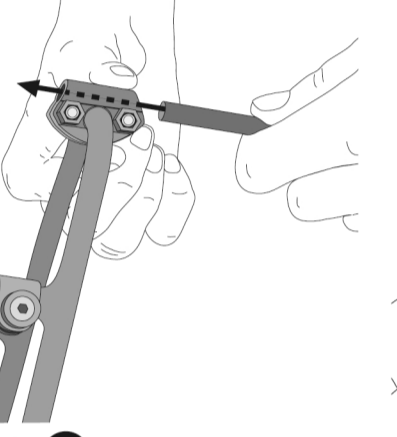


Please refer to the supplied instructions for F78106 installation

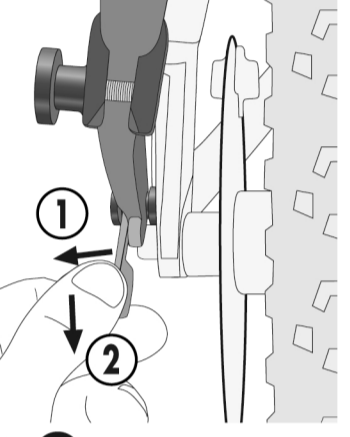
*Accessory implies not included



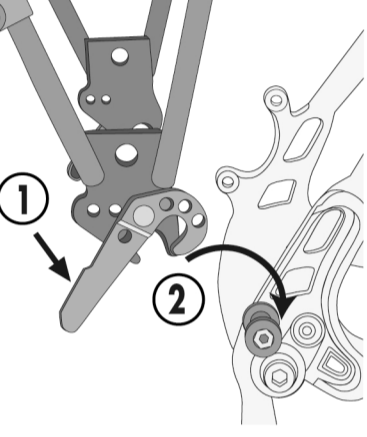
1.1 INSERT ROD



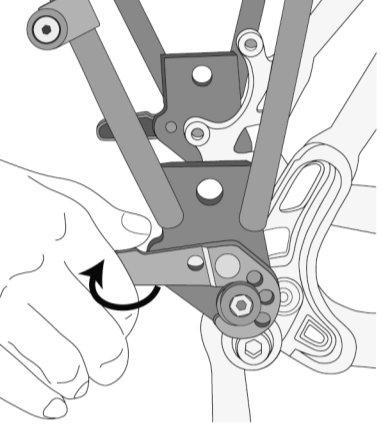
2.1 OPEN LEVER



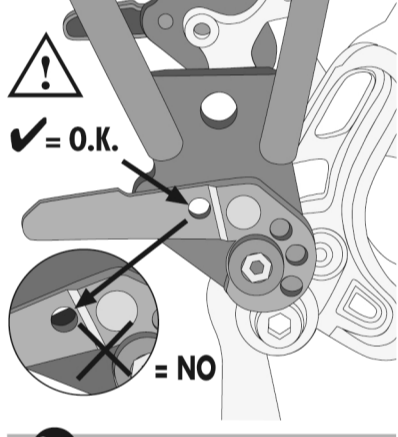
2.2 CONNECT LOWER ATTACHMENT



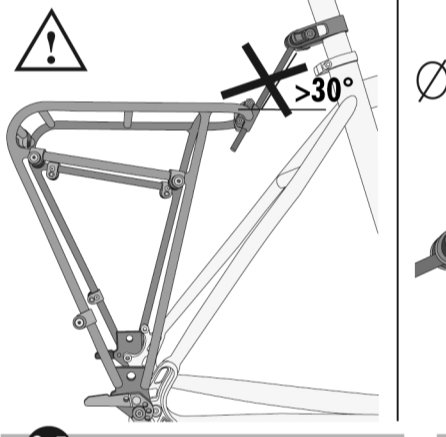
2.3 CLOSE LEVER



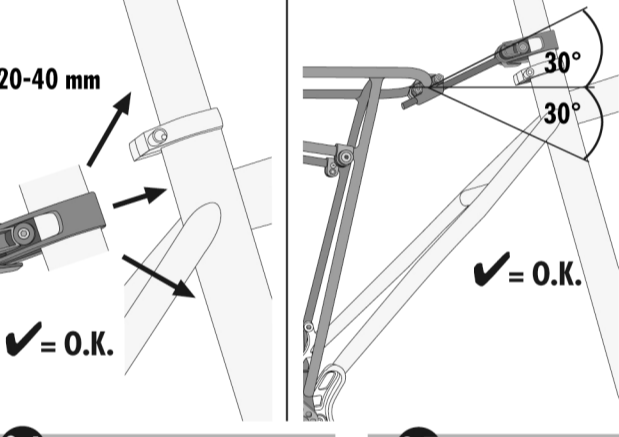
2.4 CHECK CORRECT CLOSURE



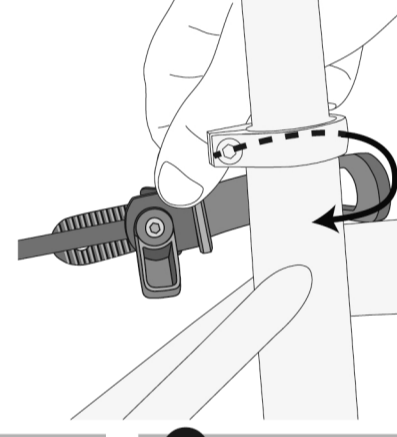
3.1 FIND UPPER ATTACHMENT POSITION



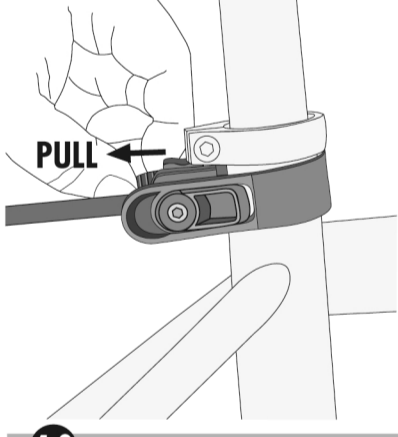
3.2 SLING STRAP AROUND



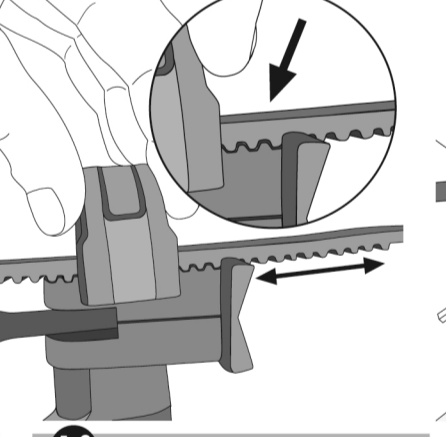
3.3 INSERT STRAP AROUND OPEN LEVER (FACING FORWARD)



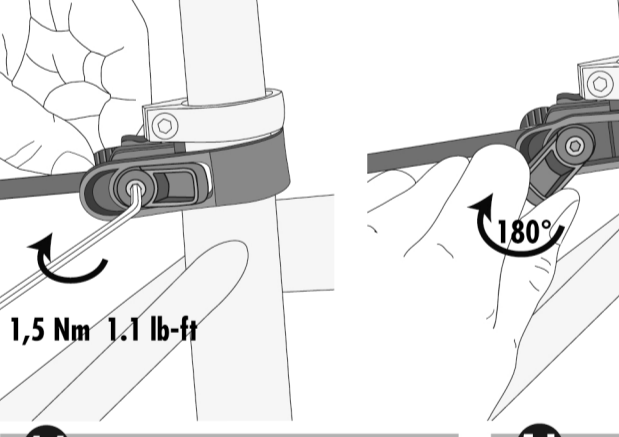
3.4 TIGHTEN STRAP



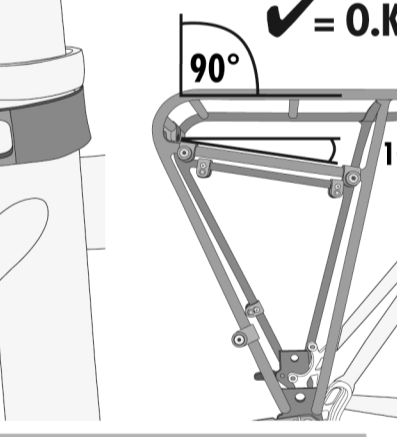
3.5 CHECK TEETH FIT



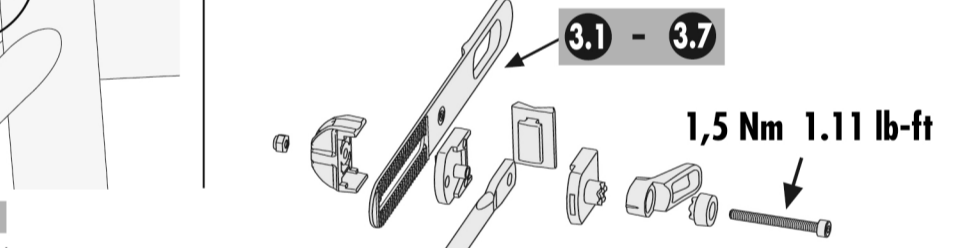
3.6 SECURE SCREW



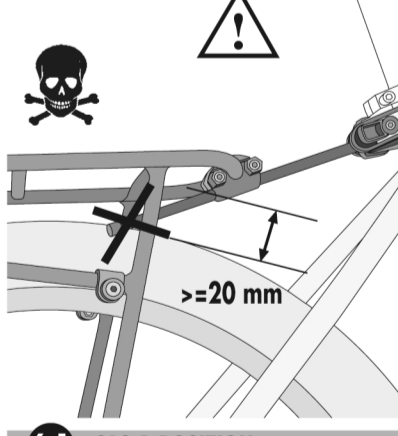
3.7 CLOSE UPPER ATTACHMENT



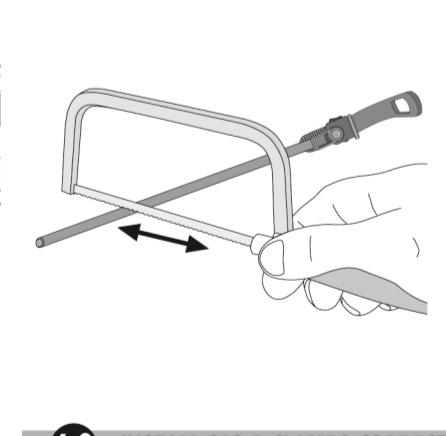
4.1 CORRECT ORIENTATION



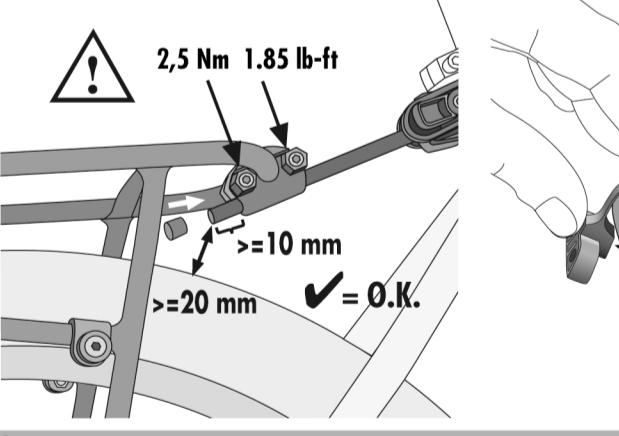
4.2 CHECK TIRE CLEARANCE



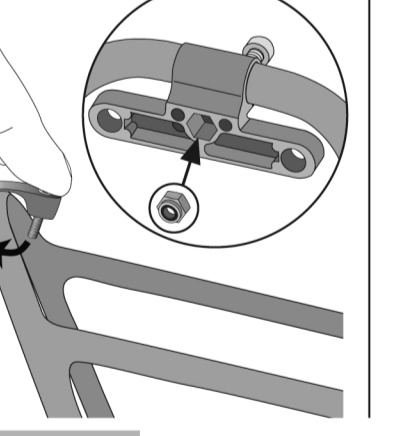
4.3 SHORTEN ROD (IF NECESSARY)



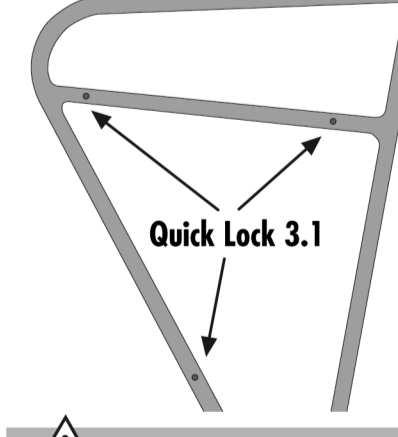
4.4 SECURE ROD CORRECTLY



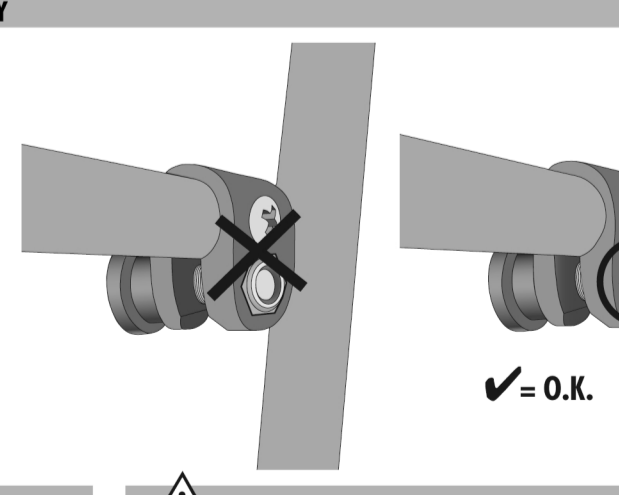
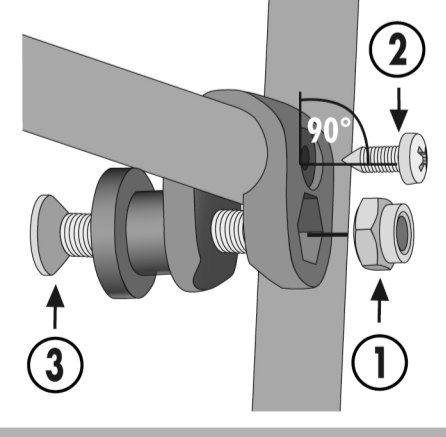
5.1 INSTALL REAR LIGHT ADAPTER



6.1 QL3.1 POSITION



6.2 INSTALL QL3.1 CLAMPS CORRECTLY



! CHECK FIXATION BEFORE EVERY RIDE

- 1.) 100 km (60 Miles)
- 2.) 500 km (300 Miles)
- 3.) 1000 km (600 Miles)
- 4.) 1500 km (900 Miles)
- etc.

